



Model 860 & 860FT

Resilient Seated Ball Type Test Cocks

Application

Designed for installation on backflow preventers as a test port for attaching a differential pressure gauge. Optional SAE flare fitting allows for fast and easy attachment of test kit hoses. A threaded dust cover is included with the 860FT to protect against fouling caused by insects, dirt and debris.

Materials

Main valve body	Cast Bronze ASTM B 584
Ball	Brass ASTM B 16, Chrome Plated
Seat & packing	Teflon
Flare fitting	Brass ASTM B 16

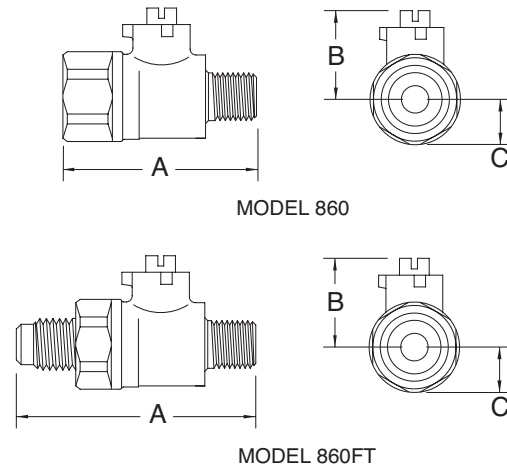
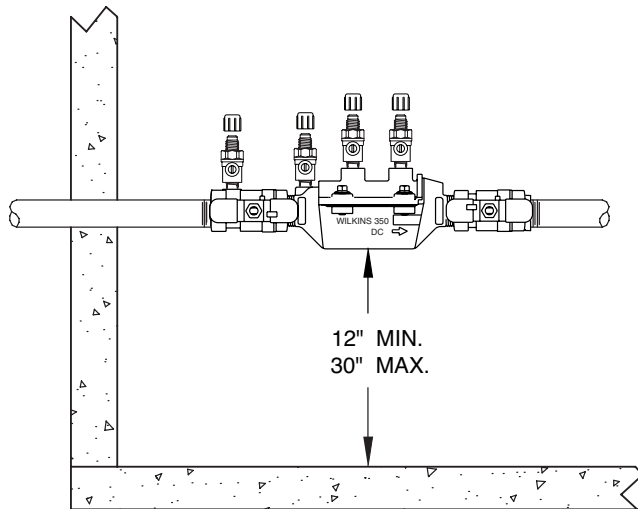
Features

Sizes: 1/8", 1/4"

Maximum pressure	300 PSI WOG
Maximum temperature	180°F
End connections Threaded ANSI	B1.20.1
Flare connection (860FT)	45° Flare SAE



Typical Installation



DIRECTION OF FLOW →

INDOOR INSTALLATION (350)

Dimensions & Weights (do not include pkg.)

MODEL	SIZE	DIMENSIONS (approximate)						WEIGHT	
		A		B		C		lbs.	kg
		in.	mm	in.	mm	in.	mm		
18-860	1/8" MNPT X 1/4" FNPT	1 5/8	41	3/4	19	3/8	10	1	0.5
14-860	1/4" MNPT X 1/4" FNPT	1 5/8	41	3/4	19	3/8	10	1	0.5
18-860FT	1/8" MNPT X 45° SAE	2	51	3/4	19	3/8	10	1	0.5
14-860FT	1/4" MNPT X 45° SAE	2	51	3/4	19	3/8	10	1	0.5